

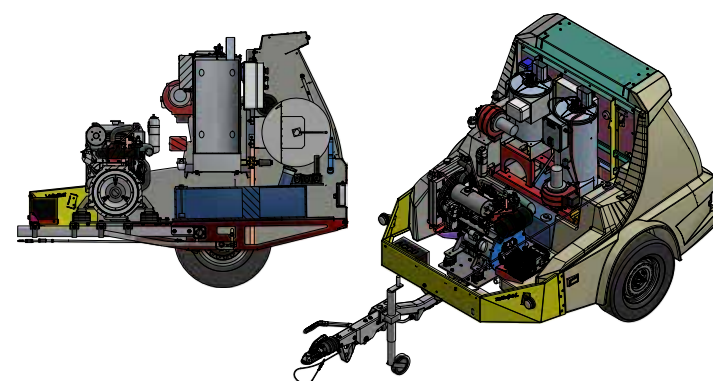
DURABILITY THANKS TO SIMPLICITY

The functional, robust appearance of the Trailerjet characterises meclean's approach to technology and the way in which the Trailerjets are constructed. Meclean's vision, that technology must be practical and that only functionality, reliability and good, fast service are important, results in a Trailerjet high-pressure cleaning trailer which very clearly reflects the professional and pragmatic outlook on technology.

Meclean® consistently selects the best components and knows better than any other that unnecessary electronics do not add anything. Meclean® opts for proven, mechanical technology.

IN-HOUSE ENGINEERING

All Trailerjets are developed in-house: from the very first idea on the drawing board to assembly in meclean's own assembly plant.



100% FOSSIL-FREE / MULTI-FUEL USE!

The engine and heat exchanger(s) are ready for new environmental-friendly fuel types like the fossil-free HVO100/XTL, NESTE, biodiesel (B100), Aspen diesel, GTL, HVO20, HVO50 etc, but a Trailerjet also runs perfectly on normal diesel fuel.

EXTENSIVE OPTIONS LIST

A Trailerjet can be fully adapted to the wishes of the user. The various versions, the extensive list of options together with the expertise of meclean's technical team, make it possible to focus fully on the end-user's wishes.

ENERGY-EFFICIENT DRIVE AND LITHIUM LiFePO4 BATTERY

The high-pressure pump in the Trailerjet TJLE 250/15 is driven by a new type of electric motor (PMS-IPM) with an efficiency of 97%, which is at least 10% more efficient than ordinary electric motors. The high-quality Lithium LiFePO4 batteries are explosion-proof, have a longer lifespan (up to 4,000 charging cycles), do not need to be fully charged before use and are further characterized by their high energy density and relatively low weight.

TRAILERJET-L 250/15 ELECTRIC DRIVE, SAME PERFORMANCE AS THE TRADITIONAL (COMBUSTION ENGINE) TRAILERJET MODELS!

The electric powered Trailerjet TJLE 250/15 is also developed according to the well-known meclean® philosophy. Meclean® consistently opts for solid functional technology and the best components. This results in a reliable machine that can be used for an entire working day without having to recharge inbetween work.

DIFFERENT CLEANING TECHNIQUES COMPARED:

traditional (hot)water high-pressure cleaning, AquaPLUS® and SteamPLUS®

TECHNICAL COMPARISON	WATER (<100 °C)	AquaPLUS®	SteamPLUS®
Water	100% water	90% water	10% water
Steam	-	10% steam	90% steam
Temperature (max)	102 °C	110 °C	150 °C
Working pressure	0 - 500 bar*	0 - 500 bar*	0 - 250 bar

*depending on model

MULTI-FUEL

emission advantages compared to diesel

	HVO100
Fossil-free	100%
CO	-24%
CO ₂	-90%
NO _x	-9%
Soot / particulate matter emission	-33%

Top-notch quality

During development and production, meclean® only uses quality components such as a Yanmar diesel engine, stainless steel multi-fuel heat exchanger system, stainless steel mounting material and no unnecessary electronics. This guarantees a long-term, worry-free deployment.



Trailerjet-M

	TJM 150/50	TJM 200/15	TJM 200/21	TJM 300/15
Working pressure	150 bar	200 bar	200 bar	300 bar
Flow rate	50 L/min.	15 L/min.	21 L/min.	15 L/min.
Engine power	16,4 kW	6,6 kW	10,2 kW	10,2 kW
Multi-fuel (engine + heat exchanger)	✓	✓	✓	✓
Engine rating	Stage 5 + Tier 4 final	Stage 5	Stage 5	Stage 5
Max. water temperature	-	102 °C	102 °C	102 °C
Capacity fuel tank	70 L	70 L	70 L	70 L
Capacity water tank	500 L	500 L	500 L	500 L
SS hose reel 25 m (LP) + 45 m (HP)	✓	✓	✓	✓
SteamPLUS®	-	-	option*	option
AquaPLUS®	-	-	option	option
WeedPLUS®	-	option	option	option
Overrun brake + hand brake	✓	✓	✓	✓
Registered weight	1350 kg	1350 kg	1350 kg	1350 kg
Dimensions	----- Total length including draw bar 3437 / frame length 1827 x (W)1661 x (H)1710 mm -----			



Trailerjet-L

	TJL 200/30	TJL 350/18	TJL 500/15	TJLE 250/15
Working pressure	200 bar	350 bar	500 bar	250 bar
Flow rate	30 L/min.	18 L/min.	15 L/min.	15 L/min.
Engine power	16,4 kW	16,4 kW	16,4 kW	15 kW
Multi-fuel (engine + heat exchanger)	✓	✓	✓	multi-fuel heat exchanger
Engine / motor rating	Stage 5 + Tier 4 final	Stage 5 + Tier 4 final	Stage 5 + Tier 4 final	PMS-IPM (97% efficiency)
Battery	-	-	-	Lithium LiFePO4 25,6 kW
Max. water temperature	102 °C	102 °C	102 °C	102 °C
Capacity fuel tank	85 L	85 L	85 L	85 L
Capacity water tank	600 L	600 L	600 L	600 L
SS hose reel 25 m (LP) + 45 m (HP)	✓	✓	✓	✓
SteamPLUS®	-	option	option	option (DUO version available)
AquaPLUS®	-	option	option	option
WeedPLUS®	option	option	option	option
Overrun brake + hand brake	✓	✓	✓	✓
Registered weight	1350 kg	1350 kg	1350 kg	1350 kg
Dimensions	----- Total length including draw bar 3437 / frame length 2127 x (W)1772 x (H)1710 mm -----			

* Model TJM 200/21 gives up to 200 bar working pressure in SteamPLUS® mode

Contact us for full list of options.

Warranty

- 2 years (in combination with service agreement)
- 10 years on high-pressure pump head

Quick and professional service...

With different service locations throughout Europe and availability of technicians worldwide we are able to guarantee a response time of max. 24 hours everywhere in the world. In most cases the service needs can be resolved within a couple of hours and often on location.

Demonstration?

Do you want to see a Trailerjet in full action? Contact your dealer or meclean® to schedule a demonstration on location.

Sales & service:

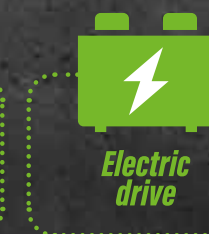


URBAN CLEANING LINE



Trailerjet - M/L

NEW
2022
models



High-end mechanical technology

Trailerjet-M/L

no unnecessary electronics



Also available as electric drive



SteamPLUS®

SteamPLUS® is a patented cleaning function that consists of a **balanced mix of 90% steam and 10% water** and a stabilized temperature of 150 °C in combination with an adjustable working pressure up to 250 bar.

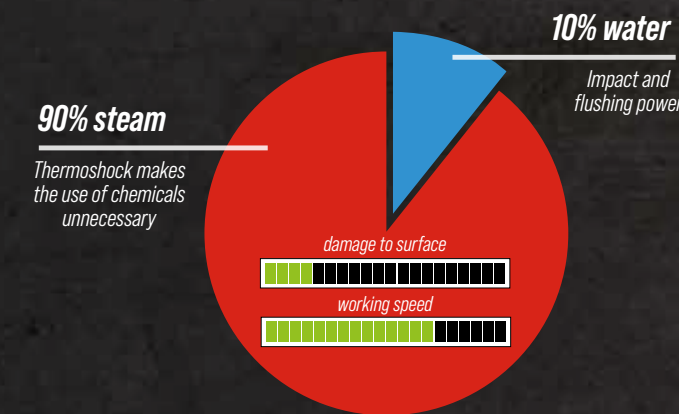
SteamPLUS® can easily be switched on and of with a button on the control panel.

With an additional steam / heat exchanger 17,000 liters(l) of steam - per minute - is produced. This enormous amount of steam creates a "thermoshock" which causes the pollution to come off without damaging the surface. The steam pressure (**adjustable up to 250 bar**) gives working speed that is necessary for large objects/ buildings.

SteamPLUS® is used and recommended by companies that are specialized in facade cleaning of monumental buildings.

Where and when SteamPLUS® ?

- ✓ When chemicals can not be used and the surface is susceptible to damage
- ✓ SteamPLUS® is suitable - unlike AquaPLUS® - for damage sensitive surfaces such as facades with less strong joints, monumental buildings, sandstone objects, wooden objects, etc.
- ✓ SteamPLUS® removes graffiti, paint layers, chewing gum, atmospheric pollution, algae and moss, fungi, oil and resin, adhesive layers, road markings, etc. without chemicals
- ✓ Disinfection and odor control thanks to the high steam percentage



Facade cleaning: without chemicals and damage



Chewing gum removal: in less than 2 seconds (2.000 - 3.000 pieces per hour)

AquaPLUS®

AquaPLUS® is a mix of **90% water and 10% steam** that comes out of the spray lance at a stabilized temperature of 110 °C and an adjustable pressure up to 500 bar (depending on model).

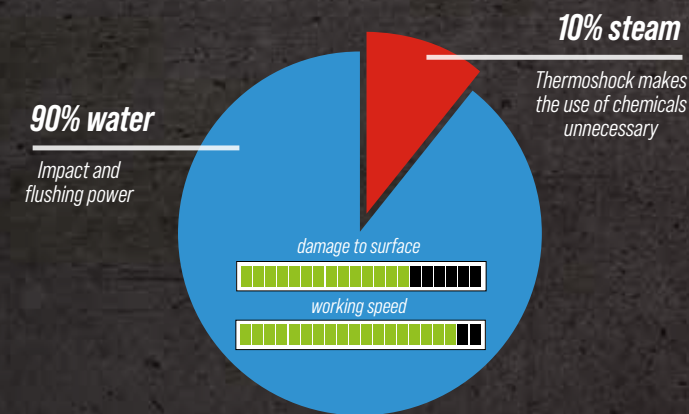
AquaPLUS® can easily be switched on and of with a button on the control panel*

*AquaPLUS® is only possible in combination with SteamPLUS®

AquaPLUS® is a cleaning function inbetween traditional (hot) water high pressure and SteamPLUS®. The balanced mix of superheated water and steam take advantage of both mentioned functions. Water provides impact and flushing power and the fairly low steam amount still creates a limited thermoshock effect so no chemicals are needed for perfect cleaning results.

Where and when AquaPLUS® ?

- ✓ When no chemicals can be used and the surface is not susceptible to damage
- ✓ AquaPLUS® in some cases cleans at a higher speed than SteamPLUS®, because the percentage of water is higher. However, the high water percentage also causes more damage to the surface compared to SteamPLUS®
- ✓ AquaPLUS® is suitable for industrial cleaning and removes graffiti, paint layers, atmospheric pollution, resin, glue layers, road markings, etc. without chemicals



Facade cleaning



Graffiti removal: without chemicals

WeedPLUS®

WeedPLUS® is a hot water weed control function. WeedPLUS® works with pure, clean (drinking) water, no pesticides needed. By overheating the weed plant proteins coagulate and are clogging the cells, which leads to effective and environmental-friendly weed control.

WeedPLUS® can easily be switched on and of with a button on the control panel.

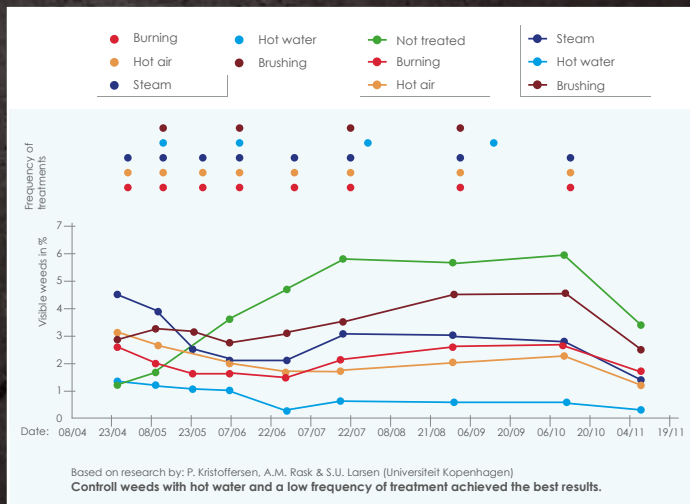
Fighting weeds with WeedPLUS® is possible everywhere. With the shower nozzle and spray bar on wheels it is possible to work extremely selectively without collateral damage.

Because the working speed is up to 30% higher than other alternative weed control methods and up to 60% fewer treatments are required, WeedPLUS® is also economically the best alternative. With WeedPLUS® a maximum of 2,000 m² per hour can be controlled.

Proven to be most effective

- ✓ Only 4 treatments per year (compared to 8 treatments with hot air / burning)
- ✓ Substantially lower weed percentage throughout the year (compared to all other methods)

Fighting weeds with hot water has been carried out by the University of Copenhagen (research by Prof. P. Kristoffersen) researched and is clearly the most effective alternative weed control method (see diagram below):



Weeds on pavement



Weeds on pavement 2 - 5 days after treatment



meclean® is a SIR (Stichting Industriële Reiniging) member. If desired a High-pressure cleaning trailer can be delivered with SIR certification.



SteamPLUS® and AquaPLUS® comply with all applicable laws and regulations such as CE and PED (Pressure Equipment Directive) and are safe for users according to the rules included in the Working Conditions Act